

V2101 Series

x86 ready-to-run embedded computers with Intel Atom Z510PT, VGA, LVDS, audio, 2 LANs, 2 serial ports, 3 DIs, 3 DOs, 4 USB 2.0 ports, SD



- > Intel Atom Z510PT 1.1 GHz processor, 400 MHz FSB
- > DDR2 SODIMM socket supporting DDR2 400 up to 2 GB
- > Dual Independent Displays (VGA+ LVDS)
- > 2 Gigabit Ethernet ports
- > 4 USB 2.0 ports for high speed peripherals
- > 3 DIs, 3 DOs
- > 2 RS-232/422/485 ports
- > Built-in CompactFlash for storing OS
- > LED indicators for power, storage
- > Ready-to-run Embedded Linux, WinCE 6.0, or Windows Embedded Standard 2009 platform
- > -40 to 85°C wide operating temperature models available



Overview

The V2101 embedded computers are based on the Intel Atom Z510PT x86 processor, and feature 2 serial ports, dual Gigabit LAN ports, 4 USB 2.0 hosts, and SD socket. The V2100 Series offers both VGA and LVDS outputs, making it particularly well-suited for industrial applications, such as SCADA and factory automation.

The V2101 computers' 2 serial ports make them ideal for connecting a wide range of serial devices, and the dual 10/100/1000 Mbps Ethernet ports offer a reliable solution for network redundancy, promising continuous operation for data communication and management. As an added convenience, the V2101 computers have 3 DIs and 3 DOs for connecting digital input/output devices. In addition, the SD and

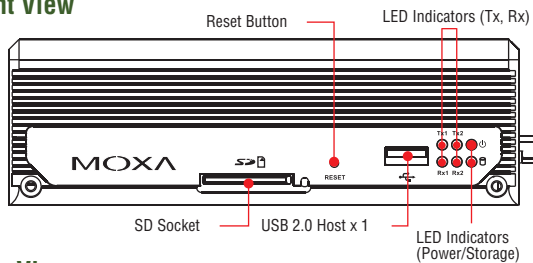
USB sockets provide the V2101 computers with the reliability needed for industrial applications that require data buffering and storage expansion.

Pre-installed with Linux, Windows CE 6.0, or Windows Embedded Standard 2009, the V2101 Series provides programmers with a friendly environment for developing sophisticated, bug-free application software at a lower cost.

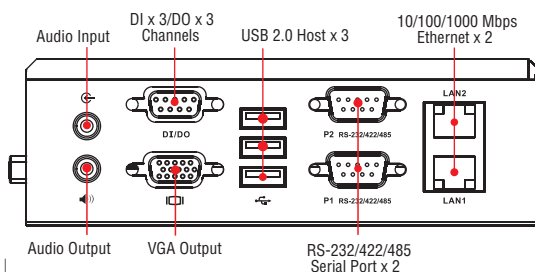
All V2101 models support a wide operating temperature range of -40 to 85°C for harsh industrial environments.

Appearance

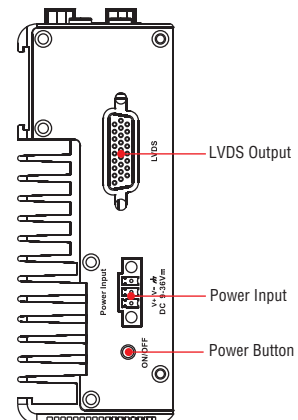
Front View



Rear View



Side View



Hardware Specifications

Computer

CPU: Intel Atom Z510PT 1.1 GHz processor
OS (pre-installed): Linux, Windows CE 6.0 or Windows Embedded Standard 2009
System Chipset: Intel US15WPT
BIOS: 8 Mbit Flash BIOS, ACPI function supported (XPe model only)
FSB: 400 MHz
System Memory: 1 x 200-pin DDR2 SODIMM socket support DDR2 400 up to 2GB max, 1 GB built-in
USB: USB 2.0 compliant hosts x 4, type A connector, supports system boot up

Storage

Built-in: 2 GB CompactFlash to store OS
Storage Expansion: SD socket for storage expansion

Other Peripherals

Audio: AC97 audio, with line-in and line-out interface

Display

Graphics Controller: Intel Graphics Media Accelerator, 500 Graphics, for 2D and 3D graphics

Video: The Poulsbo XL SCH supports full hardware acceleration of video decode standards such as H.264, MPEG2, MPEG4, and WMV9.

SDVO: Chronitel CH7317 for VGA output (1280 x 1024 @ 85 Hz)

VGA Interface: DB15 female connector

LVDS Interface: 18-bit or 24-bit single channel LVDS (1366 x 768 @ 85 Hz)

Ethernet Interface

LAN: 2 auto-sensing 10/100/1000 Mbps ports (RJ45)

Serial Interface

Serial Standards: 2 RS-232/422/485 ports, software selectable (DB9 male)

ESD Protection: 2 KV for all signals

Serial Communication Parameters

Data Bits: 5, 6, 7, 8

Stop Bits: 1, 1.5, 2

Parity: None, Even, Odd, Space, Mark

Flow Control: RTS/CTS, XON/XOFF

Baudrate: 50 bps to 115.2 Kbps

Serial Signals

RS-232: TxD, RxD, DTR, DSR, RTS, CTS, DCD, GND

RS-422: TxD+, TxD-, RxD+, RxD-, GND

RS-485-4w: TxD+, TxD-, RxD+, RxD-, GND

RS-485-2w: Data+, Data-, GND

Digital Input

Input Channels: 3, source type

Input Voltage: 0 to 30 VDC at 5 KHz

Digital Input Levels for Dry Contacts:

- Logic level 0: Close to GND
- Logic level 1: Open

Digital Input Levels for Wet Contacts:

- Logic level 0: +3 V max.
- Logic level 1: +10 V to +30 V (COM to DI)

Connector Type: DB9 female

Digital Output

Output Channels: 3, sink type

Output Current: Max. 200 mA per channel

Output Voltage:

- Logic 0: 0-0.55 V
- Logic 1: 2.5-3.3 V

On-state Voltage: 24 VDC nominal, open collector to 30 V

Connector Type: DB9 female

LEDs

System: Power, Storage

LAN: 100M/Link x 2, 1000M/Link x 2 (on connector)

Serial: Tx, Rx

Switches and Buttons

Power Switch: on/off (side)

Reset Button: For warm reboot (front side)

Physical Characteristics

Housing: Aluminum

Weight: 940 g

Dimensions:

Without ears: 150 x 49 x 125 mm (5.91 x 1.93 x 4.92 in)

With ears: 178 x 52 x 125 mm (7.01 x 2.05 x 4.92 in)

Mounting: DIN-Rail, wall, VESA

Environmental Limits

Operating Temperature: -40 to 85°C (-40 to 185°F)

Storage Temperature: -40 to 85°C (-40 to 185°F)

Ambient Relative Humidity: 5 to 95% (non-condensing)

Anti-vibration: 2 g rms @ IEC-68-2-34, random wave, 5-500 Hz, 1 hr per axis

Anti-shock: 20 g @ IEC-68-2-27, half sine wave, 11 ms

Power Requirements

Input Voltage: 9 to 36 VDC (3-pin terminal block for V+, V-, SG)

Power Consumption: (without LVDS output)

With no load on 4 USB ports:

- 1.88 A @ 9 VDC, 17 W
- 583 mA @ 24 VDC 14 W
- 422 mA @ 36 VDC 15 W

With full load on 4 USB ports:

- 3 A @ 9 VDC, 27 W
- 1 A @ 24 VDC, 24 W
- 700 mA @ 36 VDC, 25.2 W

Standards and Certifications

Safety: UL 508, UL 60950-1, CSA C22.2 No. 60950-1-07, EN 60950-1, CCC (GB9254, GB17625.1)

EMC: EN 55022 Class A, EN 61000-3-2 Class D, EN 61000-3-3, EN

55024, FCC Part 15 Subpart B Class A

Green Product: RoHS, cRoHS, WEEE

Reliability

Automatic Reboot Trigger: Built-in WDT (watchdog timer) supporting 1-255 level time interval system reset, software programmable

MTBF (mean time between failures): 231,633 hrs

Warranty

Warranty Period: 3 years

Details: See www.moxa.com/warranty

Note: The Hardware Specifications apply to the embedded computer unit itself, but not to accessories. In particular, the wide temperature specification does not apply to accessories such as the power adaptor and cables.

: Software Specifications

Linux

OS: Linux 2.6.26, Debian Lenny 5.0

File System: EXT2

Internet Protocol Suite: TCP, UDP, IPv4, SNMPv1/v2c/v3, ICMP, ARP, HTTP, CHAP, PAP, SSH 1.0/2.0, SSL, DHCP, NTP, NFS, Telnet, FTP, TFTP, PPP, PPPoE

Internet Security: OpenVPN, iptables firewall

Web Server (Apache): Allows you to create and manage web sites; supports PHP and XML

Terminal Server (SSH): Provides secure encrypted communications between two un-trusted hosts over an insecure network

Dial-up Networking: PPP Daemon for Linux that allows Unix machines to connect to the Internet through dialup lines, using the PPP protocol, as a PPP server or client. Works with 'chat', 'dip', and 'diald', among (many) others. Supports IP, TCP, UDP, and (for Linux) IPX (Novell).

File Server: Enables remote clients to access files and other resources over the network

Watchdog: Features a hardware function to trigger system reset in a user specified time interval (Moxa API provided)

Application Development Software:

- Moxa API Library (Watchdog timer, Moxa serial I/O control, Moxa DI/DO API)
- GNU C/C++ compiler
- GNU C library
- Perl

Windows Embedded CE 6.0

OS: Windows Embedded CE 6.0 R2

File System: FAT (for on-board flash)

Internet Protocol Suite: TCP, UDP, IPv4, SNMPv2, ICMP, IGMP, ARP, HTTP, CHAP, PAP, SSL, DHCP, SNTP, SMTP, Telnet, FTP, PPP

Web Server (WinCE IIS): Supports ASP, ISAPI Secure Socket Layer (SSL 2/3) and Transport Layer Security (TLS/SSL 3.1) public key-based protocols, and Web Administration ISAPI Extensions

Dial-up Networking: Supports RAS client API and PPP, Extensible Authentication Protocol (EAP), and RAS scripting

File Server: Enables remote clients to access files and other resources over the network

Watchdog: Features a hardware function to trigger system reset in a user specified time interval. (Moxa API provided)

Application Development Software:

- Moxa WinCE 6.0 SDK
- Moxa API Library
- C Libraries and Run-times
- Component Services (COM and DCOM)
- Microsoft® .NET Compact Framework 3.5
- XML, including DOM, XQL, XPATH, XSLT, SAX, SAX2
- SOAP Toolkit Client
- Winsock 2.2

Windows XP Embedded

OS: Windows Embedded Standard 2009 SP3

File System: NTFS

Internet Protocol Suite: DHCP, DNS, FTP, HTTP, SNTP, NTP, Telnet, SMTP, SNMPv2, TCP, UDP, IPv4, ICMP, IGMP, IPsec, TAPI, ICS, PPP, CHAP, EAP, PPPoE, PPTP, NetBIOS

Web Server (IIS): Allows users to create and manage websites

Silverlight 2.0: A free runtime that powers rich application experiences and delivers high quality, interactive video across multiple platforms and browsers, using the .NET framework

Remote Registry Service: Enables remote users to modify registry settings on this computer

Remote Desktop: The Terminal Server Remote Desktop component provides remote access for the desktop of a computer running Terminal Services

Watchdog: Features a hardware function to trigger system reset in a user specified time interval (Moxa API provided)

Enhanced Writer Filter: Redirect disk write operations to volatile (RAM) or non-volatile (disk) storage

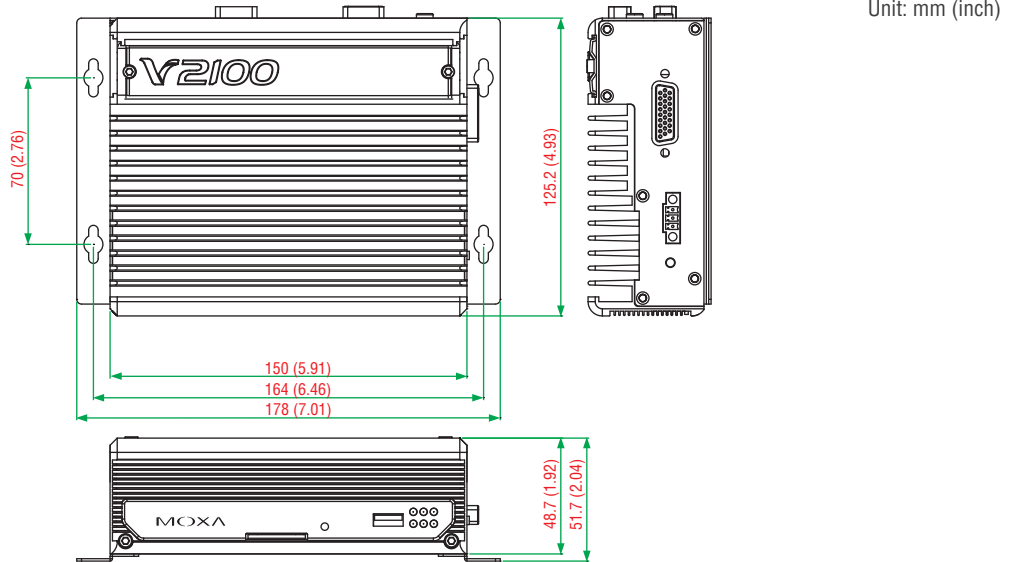
File Based Write Filter: The File Based Write Filter (FBWF) component redirects all write requests directed at protected volumes to the overlay cache, which records and displays the changes while preserving the protected status of the target volume.

Application Development Software:

- Moxa API Library
- Microsoft .Net Framework 3.5
- Active Directory Service Interface (ADSI) Core
- Active Template Library (ATL), ASP.NET 2.0
- Common Control Libraries
- Common File Dialogs
- Direct3D, DirectPlay, DirectShow, and Direct show filters
- Mapi32 Libraries
- Message Queuing (MSMQ) Core
- Microsoft Visual C++ Run Time Libraries
- Power Management dynamic-link library
- RPC
- Windows API, Script Engines, and WMI



Dimensions



: Ordering Information

Available Models

V2101-T-CE: x86 ready-to-run embedded computer with Intel Atom Z510PT, VGA, LVDS, Audio, 2 LANs, 2 serial ports, 3 DIs, 3 DOs, 4 USB 2.0 ports, SD, WinCE 6.0, -40 to 85°C operating temperature

V2101-T-XPE: x86 ready-to-run embedded computer with Intel Atom Z510PT, VGA, LVDS, Audio, 2 LANs, 2 serial ports, 3 DIs, 3 DOs, 4 USB 2.0 ports, SD, Windows Embedded Standard 2009, -40 to 85°C operating temperature

V2101-T-LX: x86 ready-to-run embedded computer with Intel Atom Z510PT, VGA, LVDS, Audio, 2 LANs, 2 serial ports, 3 DIs, 3 DOs, 4 USB 2.0 ports, SD, Linux 2.6, -40 to 85°C operating temperature

Optional Accessories (can be purchased separately)

PWR-24250-DT-S1: Power adaptor

PWC-C7US-2B-183: Power cord with 2-pin connector, USA plug

PWC-C7EU-2B-183: Power cord with 2-pin connector, Euro plug

PWC-C7UK-2B-183: Power cord with 2-pin connector, British plug

PWC-C7AU-2B-183: Power cord with 2-pin connector, Australia plug

PWC-C7CN-2B-183: Power cord with 2-pin connector, China plug

Package Checklist

- V2101 embedded computer
- Terminal block to power jack converter
- DIN-Rail mounting kit
- Wall mounting kit
- Documentation and software CD or DVD
- Quick installation guide (printed)
- Warranty card