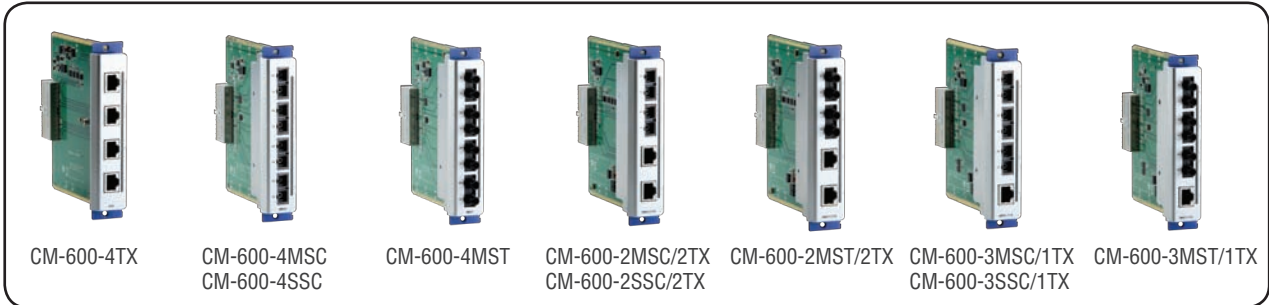


CM-600 Series

4-port fast Ethernet interface modules for EDS-600 series Ethernet switches

Specifications

Fast Ethernet Interface Modules, CM-600 Series



Interface

Fiber Ports: 100BaseFX ports (SC/ST connector)

RJ45 Ports: 10/100BaseT(X) auto negotiation speed, F/H duplex mode, and auto MDI/MDI-X connection

LED Indicators: 10/100 for TP port, 100M for fiber port

Optical Fiber

	100BaseFX		
	Multi Mode	Single Mode	Single Mode, 80 km
Wavelength	1300 nm	1310 nm	1550 nm
Max. TX	-10 dBm	0 dBm	0 dBm
Min. TX	-20 dBm	-5 dBm	-5 dBm
RX Sensitivity	-32 dBm	-34 dBm	-34 dBm
Link Budget	12 dB	29 dB	29 dB
Typical Distance	5 km ^a 4 km ^b	40 km ^c	80 km ^d
Saturation	-6 dBm	-3 dBm	-3 dBm

a. 50/125 μm, 800 MHz*km fiber optic cable

b. 62.5/125 μm, 500 MHz*km fiber optic cable

c. 9/125 μm single-mode fiber optic cable

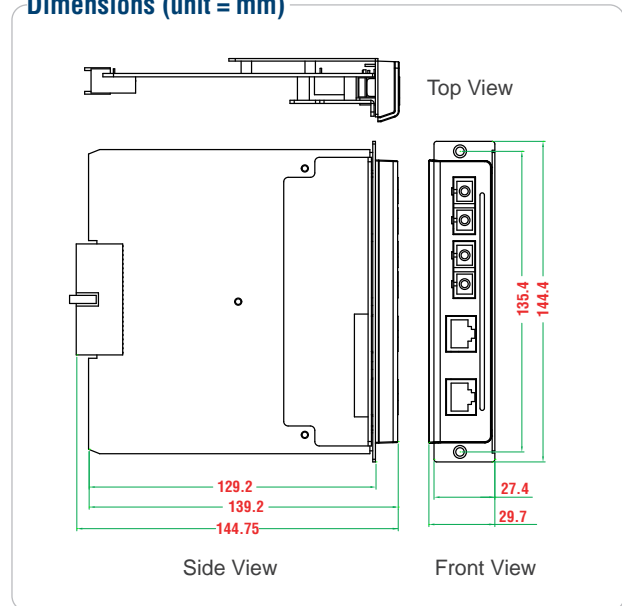
d. 9/125 μm single-mode fiber optic cable (80 km)

Physical Characteristics

Housing: IP30 protection

Dimensions: 29.7 x 144.4 x 144.75 mm (1.17 x 5.69 x 5.7 in)

Dimensions (unit = mm)



Ordering Information

Available Models	Port Interface			
	10/100BaseT(X)	100BaseFX		
		Multi-mode, SC Connector	Multi-mode, ST Connector	Single-mode, SC Connector
CM-600-4TX	4	---	---	---
CM-600-4MSC	---	4	---	---
CM-600-4MST	---	---	4	---
CM-600-4SSC	---	---	---	4
CM-600-2MSC/2TX	2	2	---	---
CM-600-2MST/2TX	2	---	2	---
CM-600-2SSC/2TX	2	---	---	2
CM-600-3MSC/1TX	1	3	---	---
CM-600-3MST/1TX	1	---	3	---
CM-600-3SSC/1TX	1	---	---	3